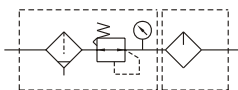


MACP401 series

AIR UNITS (F.R.L.UNIT)



Symbol:



Order example:

MACP401 — 8A — [] — BSP

MODEL

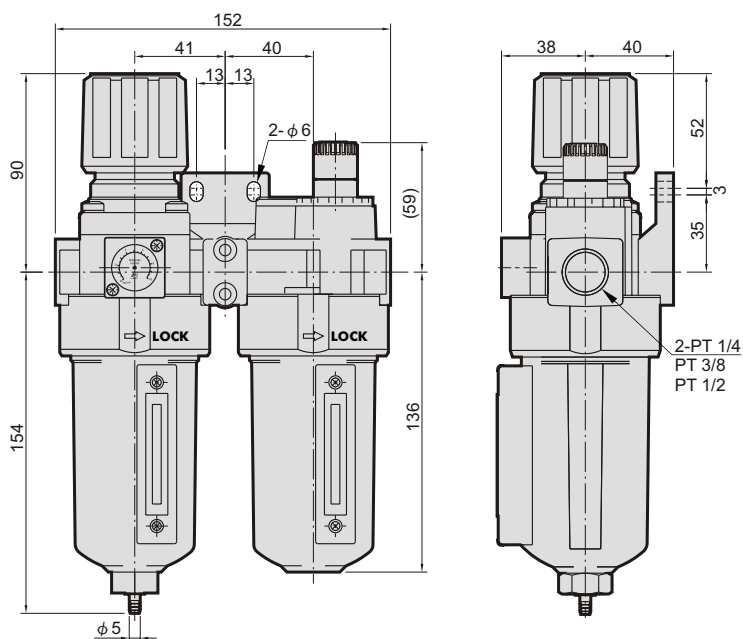
BORE SIZE

8A: PT 1/4
10A: PT 3/8
15A: PT 1/2

C: external pressure gauge
D: auto drain valve
H: high pressure type
P: pressure switch

PORT THREAD

Blank: PT thread
BSP: BSP thread
NPT: NPT thread



Specification:

Model	MACP401		
Components	MAFR401, MAL401		
Bore No.	8A	10A	15A
Port size	PT 1/4	PT 3/8	PT 1/2
Medium	Air		
Operating pressure range	0~15 kgf/cm ² (0~1.5 MPa)		
Proof pressure	20 kgf/cm ² (2 MPa)		
Regulation pressure range	Standard type: 1~8.5 kgf/cm ² (0.1~0.85 MPa)		
	High pressure type: 1~15 kgf/cm ² (0.1~1.5 MPa)		
Ambient temperature	-5~+60 °C (No freezing)		
Filtration	Standard: 40 μm Option: 5 μm		
Lubricating oil capacity	200c.c		
Min. Flow for oil drip	30 ℓ/min	65 ℓ/min	80 ℓ/min
Recommended lubricating oil	Turbine oil ISO-VG32		
Attachment	Pressure gauge, L-type bracket		
Weight	1518 g		

※ Standard Unit contains semi-auto-drain function when operating pressure below 0.5kgf/cm².

Flow feature:

